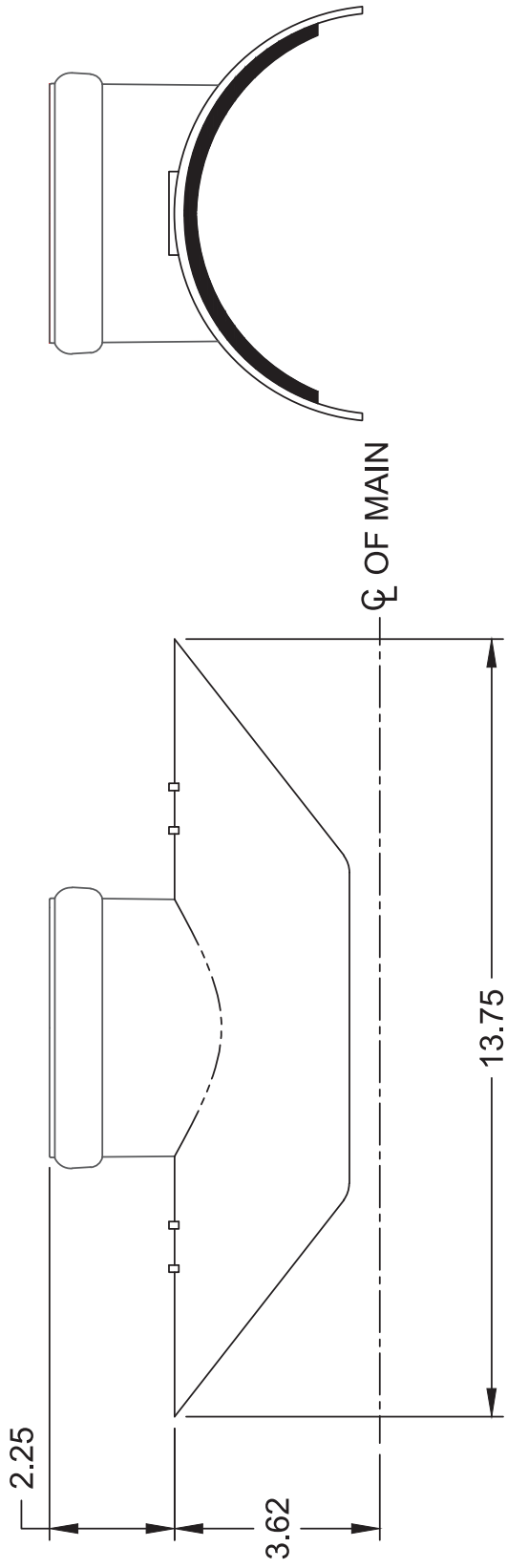
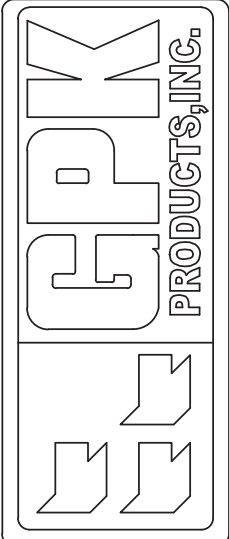


Not recommended when air test is needed



	FOR REFERENCE ONLY		DIMENSIONS SUBJECT TO CHANGE				
	TITLE						
6" x 4" SADDLE TEE GxG WITH STRAPS D3034/F1336 SDR 35 PSM PVC		DATE	02-02-12	SCALE	NONE	PART NO.	136-0064
1-800-437-4670	FARGO, ND						