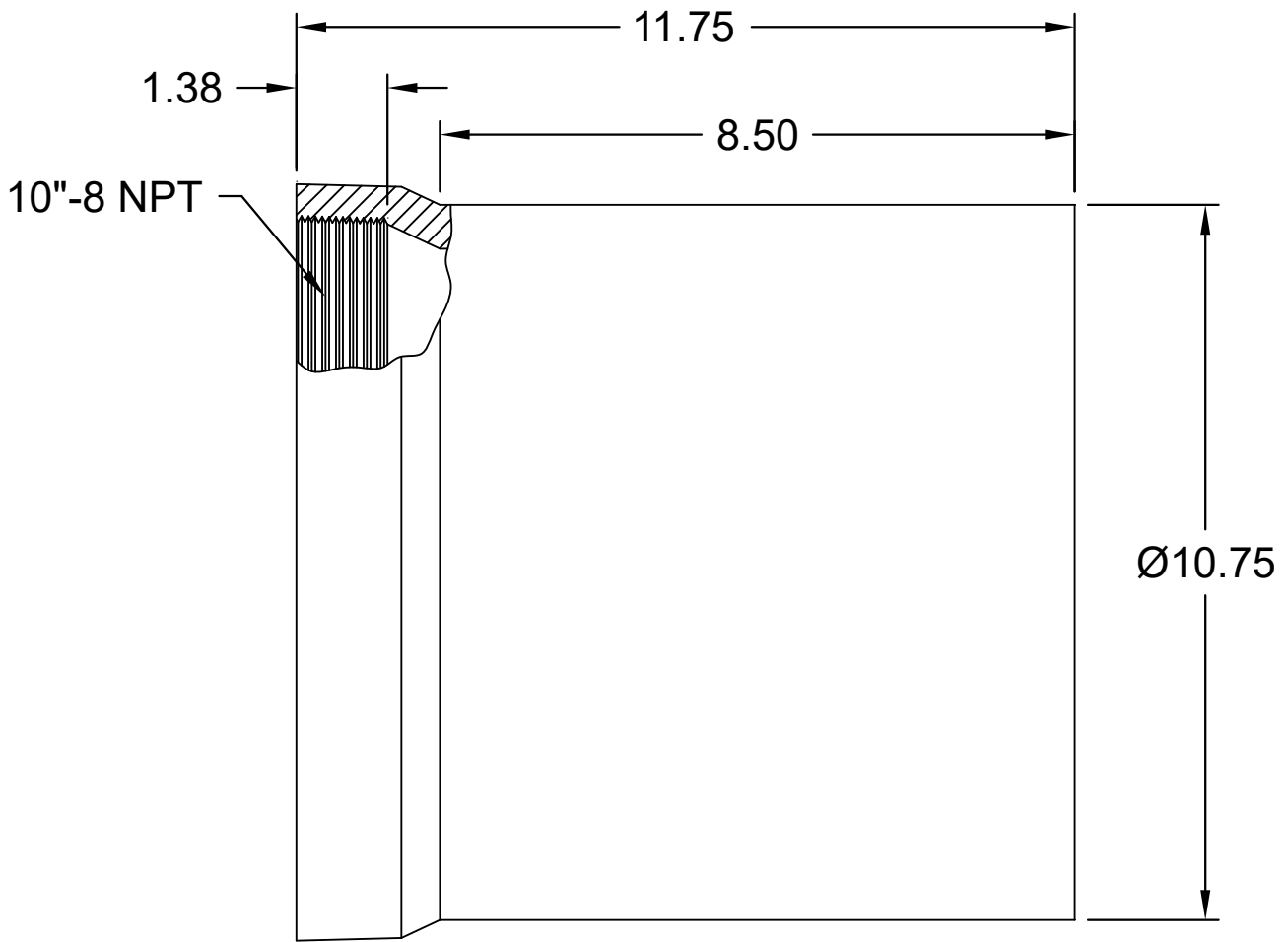


SPIGOT TAPER AVAILABLE ON REQUEST



FOR REFERENCE ONLY DIMENSIONS SUBJECT TO CHANGE



TITLE

10" FIPT x IPS Sp ADAPTER
F1866 DWV SCH 40 IPS PVC

1-800-437-4670 FARGO, ND

DATE 05-20-12

SCALE NONE

PART NO. 329-0010